

**Feature -**

bi-color LED illuminated available  
2P2T, 4P2T, lock / non-lock function

**Application -**

computer products  
instrumentation  
communication equipments

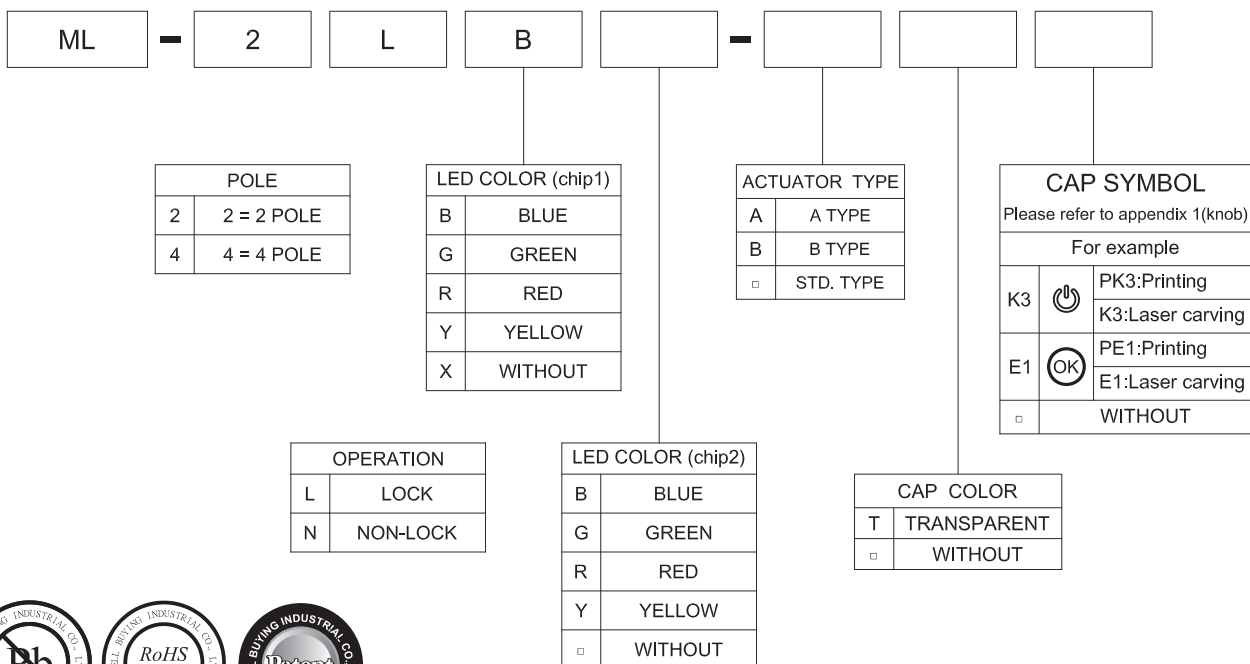
**SPECIFICATIONS**

SWITCH SPECIFICATIONS	
POLE - POSITION	2P2T, 4P2T LOCK / NON-LOCK Action with LED
CONTACT RATING	30 V DC, 0.3 A
CONTACT RESISTANCE	20 mΩ MAX. 1.5 V DC; 100 mA by Method of Voltage DROP
INSULATION RESISTANCE	100 MΩ MIN. 500 V DC
DIELECTRIC STRENGTH	Breakdown is not Allowable; 500 V AC for 1 Minute
OPERATING FORCE	200 ± 100 gf
OPERATING LIFE	10,000 cycles
OPERATING TEMPERATURE RANGE	-20°C ~ 70°C
TOTAL TRAVEL	TRAVEL : 2.5 ± 0.3 mm TRAVEL : 3.3 ± 0.3 mm

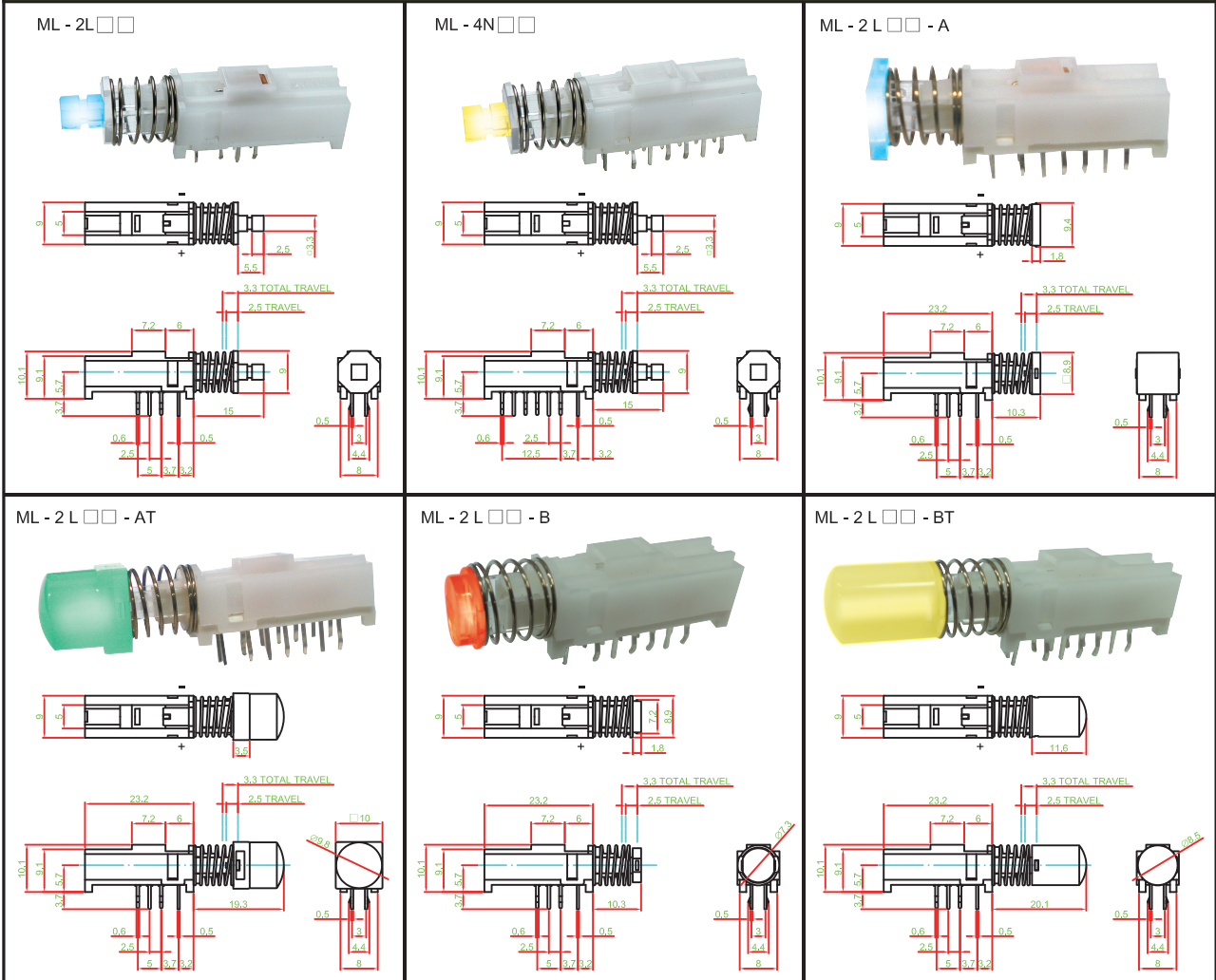
LED SPECIFICATIONS						
ATTENTION	LEDs are Electrostatic Sensitive devices	Unit	Value / LED Color			
			Blue	Green	Red	Yellow
FORWARD CURRENT	If	mA	20	20	20	20
REVERSE VOLTAGE	Vr	V	5.0	5.0	5.0	5.0
REVERSE CURRENT	Ir	μA	10	10	10	10
FORWARD VOLTAGE@20mA	Vf	V	3.3-4.0	2.1-2.5	2.0-2.5	2.0-2.5
LUMINOUS INTENSITY@20mA	Iv	mcd	1300	700	900	700

Physical and electrical information of LED will be provided upon customer's request on switches.

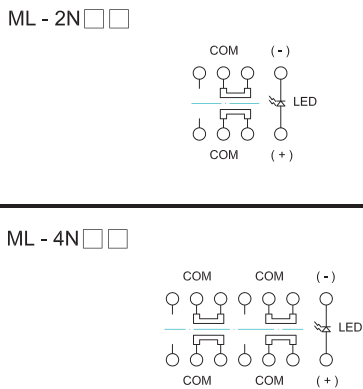
**HOW TO ORDER**



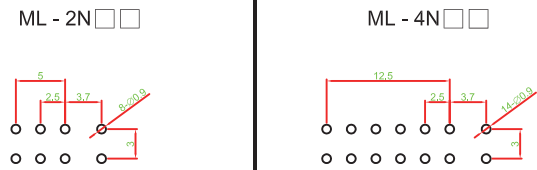
► DIMENSION



► CIRCUIT



► P.C.B LAYOUT



► MATERIAL

- COVER : POM
- ACTUATOR : POM
- BASE FRAME : PA + GF
- TERMINAL : BRASS SILVER PLATING

	0	1	2	3	4	5	6	7	8	9	10	11	12	13	14	15	16	17	18	19		
A	0	1	2	3	4	5	6	7	8	9	10	11	12	13	14	15	16	17	18	19		
B	A	B	C	D	E	F	G	H	I	J	CH5	CH6	DSK	PIP	C-KEY	CUT	TAKE	REC	ENG	PROD		
C	K	L	M	N	O	P	Q	R	S	T	REPLAY	RET1	RET2	KEY ON	AUTO TAKE							
D	U	V	W	X	Y	Z	POWER	ON OFF	ON	OFF		USER A	USER B	USER C	USER D	USER E	USER F	USER G	USER H	USER I		
E	OK		Auto	Enter	Start	STOP	OPEN	CLOSE	Exit	Move	USER J									M-1		
F	SET	Reset	Light	Alarm	Menu	Next	Back	Delete	Motor	Save												
G	Up	Down	Right	Left	Test	End	Insert	Lock	Print	+/-							IN PORT	SOS		TC		
H	ESC	BC.	HOME	Health	D-LED 2	OC GENE	VIDEO INPUT	clr CMOS	Green Power	Save OK	P1	P2	P3	P4	P5	DC	AC			TURBO		
I				F1	F2	F3	F4	F5	F6	F7	SEEK	TRACK	RNA	AS/RPT	Select		SET	ON	OFF	UP		
J	F8	F9	F10	F11	F12	F13	F14	IN 1	IN 2	IN 3						ON AIR		D.	M.			
K	IN 4	IN 5	IN 6														HDMI	VGA				
L	+	-	x		=									MON	ITEM	C/S	GAS	PUMP ON/OFF	PURGE	R/HR	PARL	IOD
M																						
N																						
O																						
P							Config.	TIME LINE	ME1	ME2												
Q	ME3	ME4	BOND 3D DVE1	BOND 3D DVE2	BUS COLOR	ME BUTTON LINK	*	INSERT	WIPE													
R		ALL		VP		COPY		RECORD MODE														
S			MUTE																			
T		hold	group	m1	m2	m3	m4	m5	t1	t2												
U	s1	s2	chair	undo	redo	touch	store	recall	e1	e2												
V	e3	e4	OC			CLEAR	CROSS WIND	AMMO TEMP	BARO PERSS	AIR TEMP												
W	BORE-SIGHT	CANT	LEAD	RANGE	MRS	ZERO	TEST	UD	LR													
X	ID	Disp	M/F	CALL	.	BAND	SETUP	MODE	LINK	FUNC.												
Y	SHIFT					DEL																
Z			T	RUN	2D	3D	CH1	CH2	CH3	CH4												